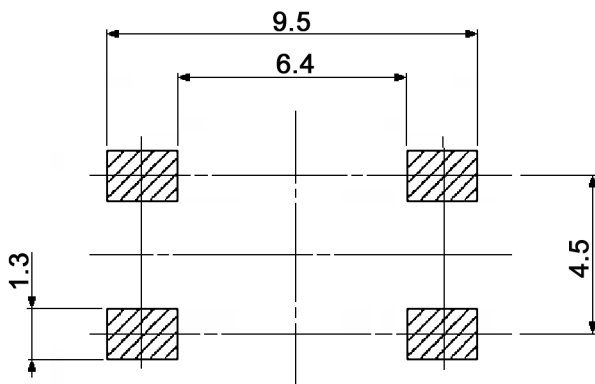
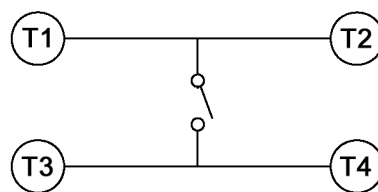


PRINTED CIRCUIT BOARD  
LAND DIMENSIONS



CIRCUIT DIAGRAM



Compliance: RohS II (2011/65/EU)

Tolerances: up to 10: ±0.2mm above 10-50: ±0.3mm	Date	Name
	06/15	dr

**TSS 66 x-T**

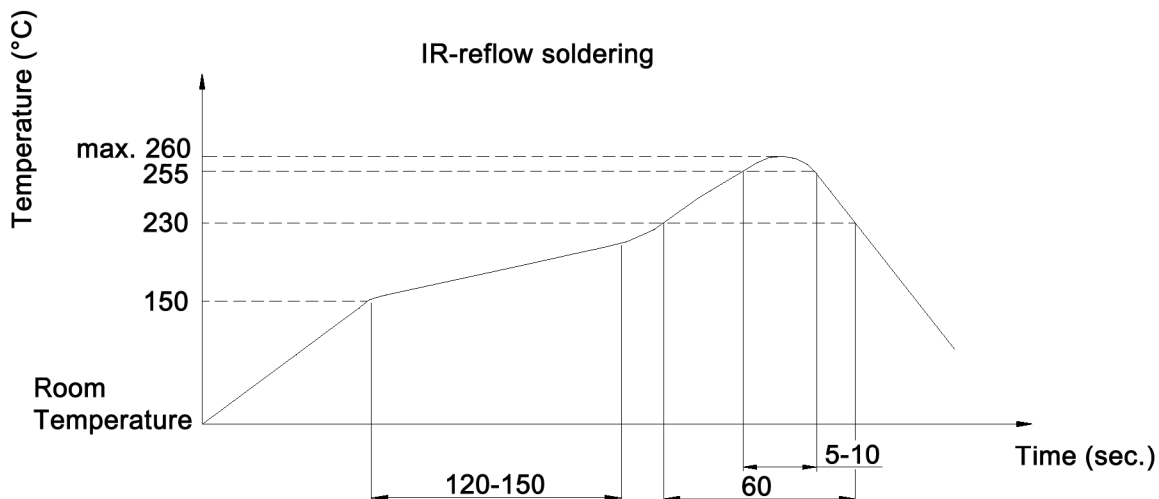
Material	05/18	dr	<b>knitter-switch</b>
Packaging unit	07/15	dr	
Modifications	Date	Name	

**30 33 64**

**Specifications:**

Contact rating: 50mA, 12V DC  
 Contact resistance: 100mOhm max.  
 Insulation resistance: 100MOhm min. at 500V DC for 1 minute  
 Dielectric strength: 250V AC (50/60Hz) for 1 minute  
 Operating temperature: -40°C to +85°C  
 Storage temperature: -40°C to +85°C  
 Material: Cover: stainless steel  
 Case / stem: PPS  
 Contact: phosphor bronze, silver plated  
 Terminal: brass, silver plated

**Soldering conditions:**



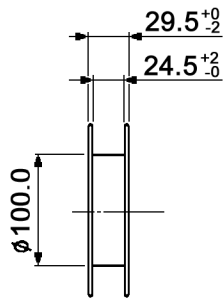
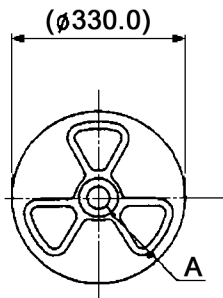
x	Operating force	Mechanical life	Stem color
K	100 +/-30 gf	150 000 cycles	black
N	160 +/-50 gf	150 000 cycles	brown
R	250 +/-70 gf	150 000 cycles	red
S	320 +/-70 gf	100 000 cycles	salmon
Y	520 +/-130 gf	50 000 cycles	yellow

Compliance: RohS II (2011/65/EU)

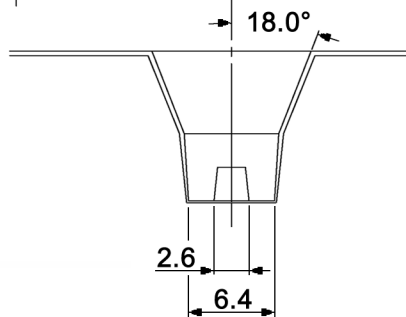
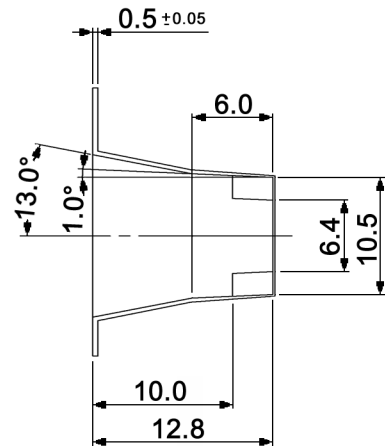
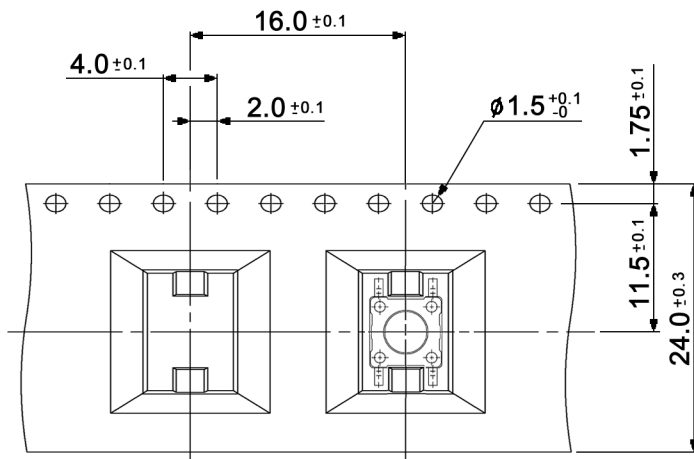
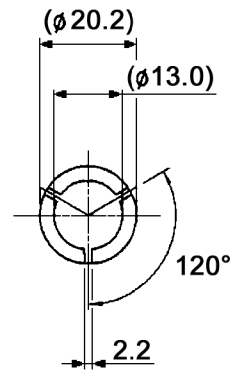
Tolerances: up to 10: ±0.2mm above 10-50: ±0.3mm		Date	Name	<b>TSS 66 x-T</b>	
		06/15	dr		
Material	05/18	dr	<b>knitter-switch</b>	<b>30 33 64</b>	Page
Packaging unit	07/15	dr			2/3
Modifications	Date	Name			

Packaging:

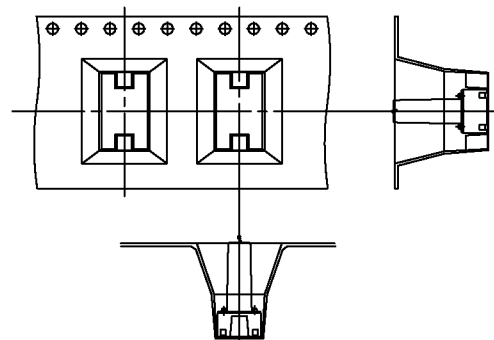
REEL



DETAIL "A"



SCALE 1:1



Packaging unit: 300 pcs. / reel  
Compliance: RohS II (2011/65/EU)

Tolerances: up to 10: ±0.2mm above 10-50: ±0.3mm	Date	Name
	06/15	dr
Material	05/18	dr
Packaging unit	07/15	dr
Modifications	Date	Name

**TSS 66 x-T**

**30 33 64**

Page

3/3

**knitter-switch**